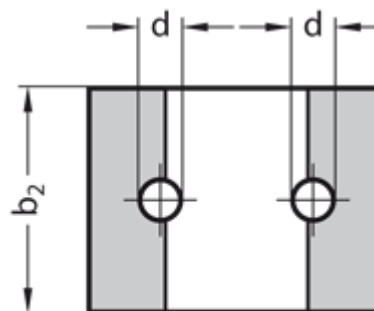
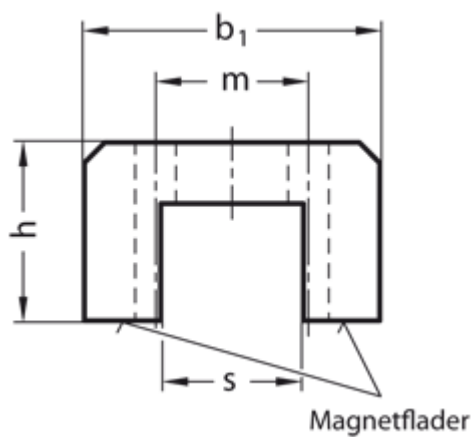


Article number: 201247043B

Description: E+G U-magnet GN 62-AN-57
Alu, Nickel, Cobalt - 280° C, 180N

Measures



b_1	= 57
b_2	= 44.5
d_3	= 8 - max. dia. screw head
h	= 35.0
Holding force N	= 180
m	= 31.5
Material	= AN Alu, nickel, cobalt, 280°C
s	= 27.8